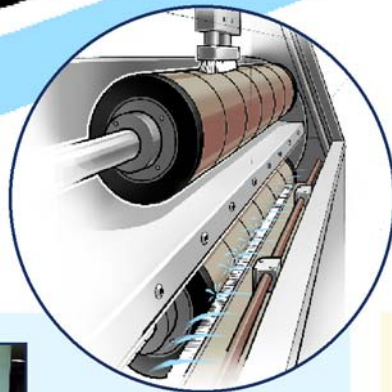
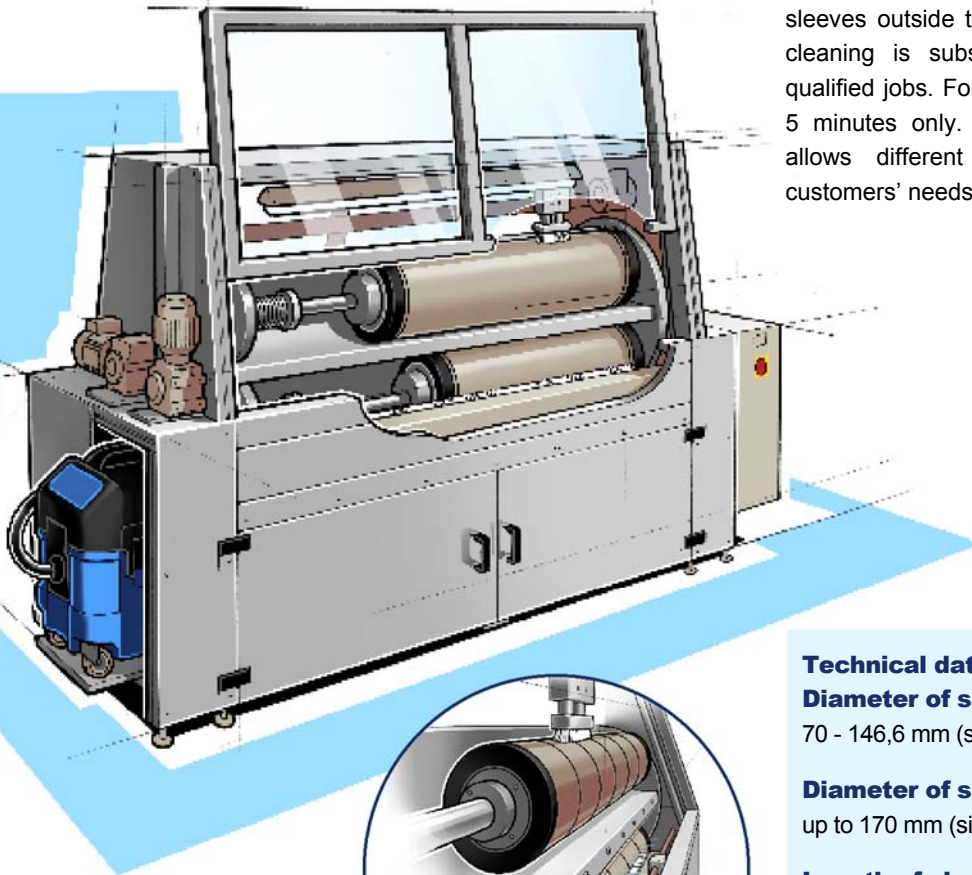




Sleeve Washer

This machine is designed for the automatic cleaning of sleeves outside the printing press. The laborious manual cleaning is substituted. Staff members can do more qualified jobs. For assembling of the washer, it takes app. 5 minutes only. The standard concept of the machine allows different sleeve dimensions to match most customers' needs.



Technical data:

Diameter of sleeves (inside)

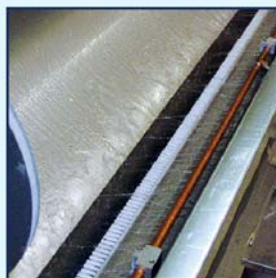
70 - 146,6 mm (size 1), 146,6 - 292 mm (size 2)

Diameter of sleeves (outside)

up to 170 mm (size 1), up to 305 mm (size 2)

Length of sleeves

300 - 1400 mm (size 1), 1040 - 2000 mm (size 2)



Items to washed



cleaning process



cleaning agents

