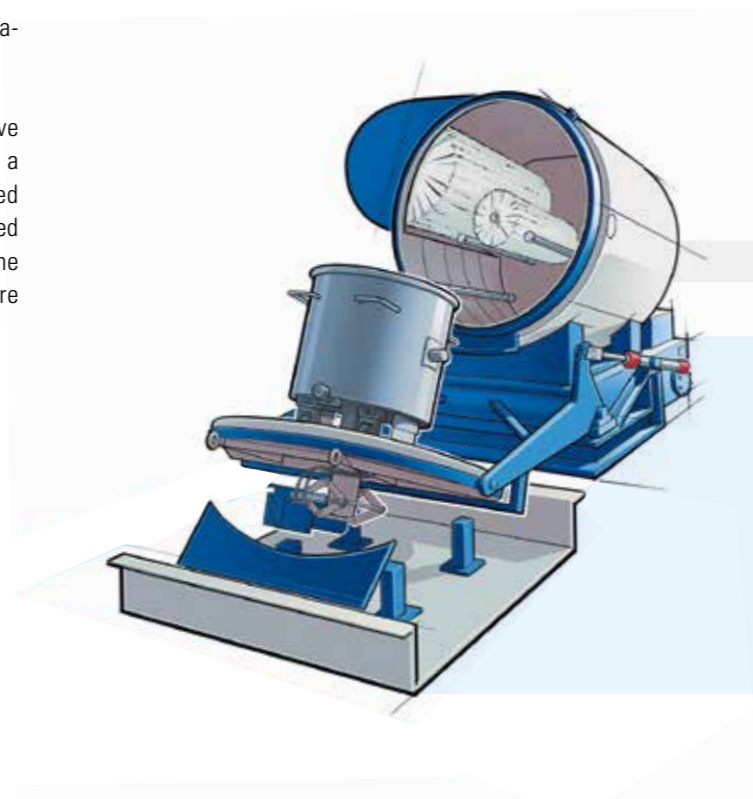


Model BKM

- ▶ Robust and user-friendly **washing machine for internal and (optionally) external cleaning of containers with an open top** using brushes and simultaneous spraying with solvent; conductive brushes with type examination according to ATEX – no nitrogen inerting required
- ▶ Thorough cleaning of containers on the inside and outside (optional) – including large-diameter containers – by means of rotating brush rollers and sprayed-on washing agent
- ▶ The container is tilted down during washing, allowing dissolved residues to be rinsed out regardless of the size and design of the container bottom
- ▶ Tight-closing, hydraulic washing chamber door that also serves as loading platform (rotating plate) in front of the washing chamber. The rotating plate is driven by an external, explosion-proof gear motor. The container is centered using interlocking guide rails at the container and door (a locking sleeve and 2 guide rails must be welded to the underside of every container to be cleaned)
- ▶ The door does not move until the container is properly locked into place (polling sensor)
- ▶ Polling of the door position “closed”; spraying and brush rotation do not begin until the door is tightly closed
- ▶ The standard version includes brush rollers with conductive polyamide brush segments for internal cleaning, driven by a hydraulic motor with infinitely variable speed that is mounted behind the housing panel. The brushes are moved and pressed against the container by hydraulic cylinders mounted to the outside of the rear panel; infinitely variable contact pressure and speed
- ▶ Powerful centrifugal pump for washing with circulated solvent
- ▶ Closed solvent reservoir under the washing chamber (no open solvent when the washing chamber is open); level switch for filling and draining; flow monitor; the brush rotation starts only after injection of the solvent
- ▶ An external filter with removable basket and strainer protects the spraying system, container and pump from foreign matter
- ▶ Explosion-proof hydraulic unit, explosion-proof driving motor: the motor speed can be adjusted based on the desired brush speed using a frequency converter
- ▶ Internal air extraction by a powerful suction fan
- ▶ Automatic washing program with programmable logic controller (PLC); washing – draining – rinsing – ventilating and brush rotation; the program steps can be selected individually
- ▶ Explosion protection according to ATEX, category 1 (with type examination) for zone 0 inside, category 2 for zone 1 outside



Washing machine model BKM	Size 09/11	Size 12/13	Size 15/15
Container Ø / height mm	900 x 1100	1200 x 1300	1500 x 1500
Washing pump capacity m ³ /h / kW	30 / 5.5	45 / 7.5	60 / 10
Internal air extraction system BKM m ³ /h / kW	2200 / 1.85	2900 / 2.5	4000 / 3.6
	L x W x H	L x W x H	L x W x H
Dimensions mm	4100 x 3200 x 3000	4800 x 3700 x 3400	5500 x 4200 x 3800
Required space mm	8000 x 5000 x 3000	9000 x 5500 x 3400	10000 x 6000 x 3800
Transport clearance mm	3200 x 2000 x 2400	3500 x 2400 x 2700	3800 x 2700 x 3000

* Subject to technical changes

Accessories

- ▶ External cleaning using brush rollers; conductive brushes with type examination according to ATEX – no nitrogen inerting required
- ▶ Separate outlet cleaning system with a special cleaning nozzle at the top of the washing chamber
- ▶ Warm air drying: the fan blows heated air into the machine for effective drying of nonvolatile solvent residues on machine and container surfaces
- ▶ Drying chamber: solvent losses and emissions are minimal because the solvent does not need to be extracted from the washing chamber for the drying process
- ▶ Solvent concentration measuring and regulating system for connection to an exhaust air cleaning system

