

Model PW

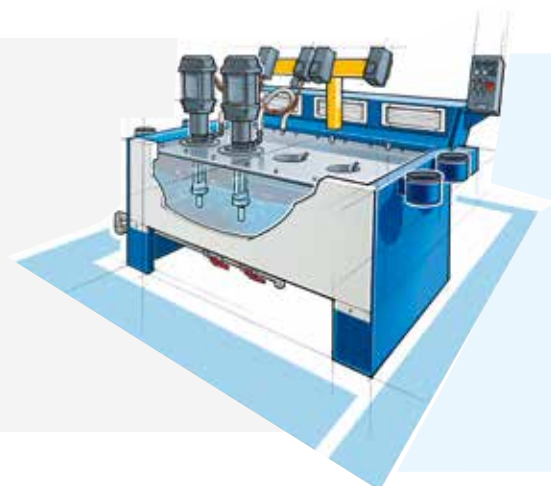
- ▶ Explosion-proof, ATEX-compliant device for cleaning ink pumps with all common solvents
- ▶ The ink pumps, including the suction pipes and delivery hoses, rinse themselves by circulating the solvent stored in the machine reservoir
- ▶ Housing made of steel plate; solvent-resistant coating on the outside
- ▶ The stainless steel housing lid can be removed for cleaning
- ▶ The housing lid has openings for the pumps that are closed by flaps; the flaps open automatically under the pressure of the inserted suction pipe of the pump
- ▶ Air extraction unit with air slots and suction nozzle at the back of the housing lid

Accessories

- ▶ Explosion-proof power outlets provided by RENZMANN (instead of by the customer)
- ▶ Automatic filling and draining
- ▶ Air extraction system with powerful fan

Washing machine model PW	Size 04	Size 06	Size 08
Number of pumps	4	6	8
Internal air extraction system m ³ /h / kW	2500 / 0.75	2500 / 0.75	2500 / 0.75
	L x W x H	L x W x H	L x W x H
Dimensions mm	2220 x 1360 x 1430	3000 x 1360 x 1430	3780 x 1360 x 1430
Required space mm	3000 x 2800 x 3000	3800 x 2800 x 3000	4600 x 2800 x 3000
Transport clearance mm	2500 x 1500 x 1800	3300 x 1500 x 1800	4100 x 1500 x 1800

* Subject to technical changes



PW